

6

5

4

3

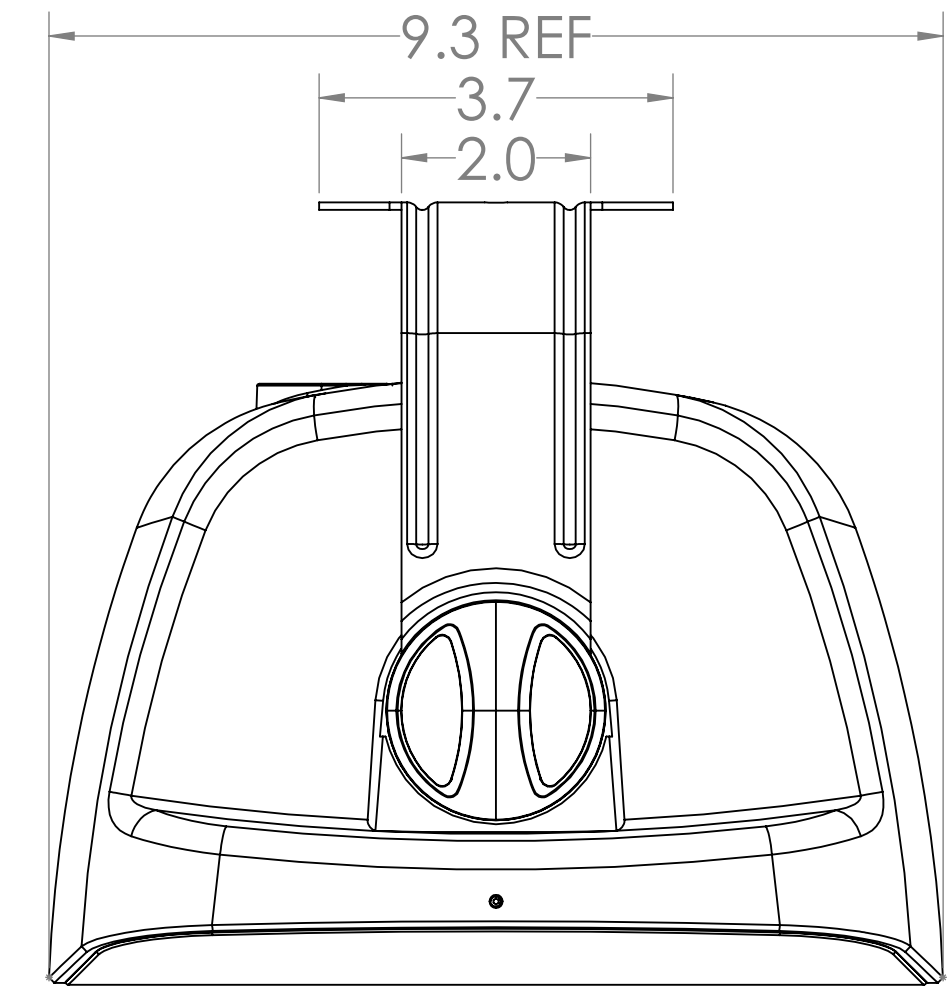
2

1

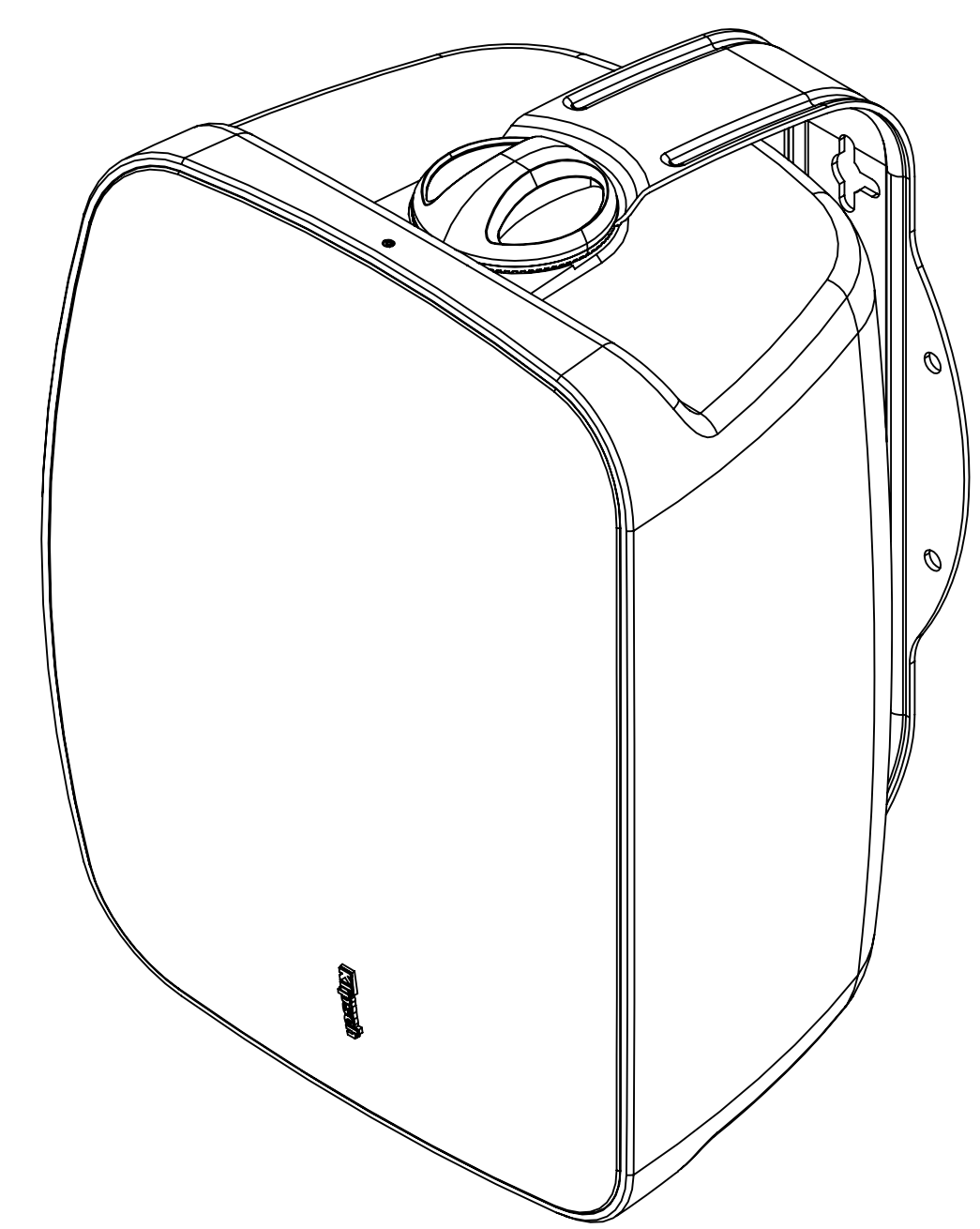
DWG. NO. D106797 REV. A

REVISIONS				
REV.	ECO NO.	DESCRIPTION	DATE	APPROVED

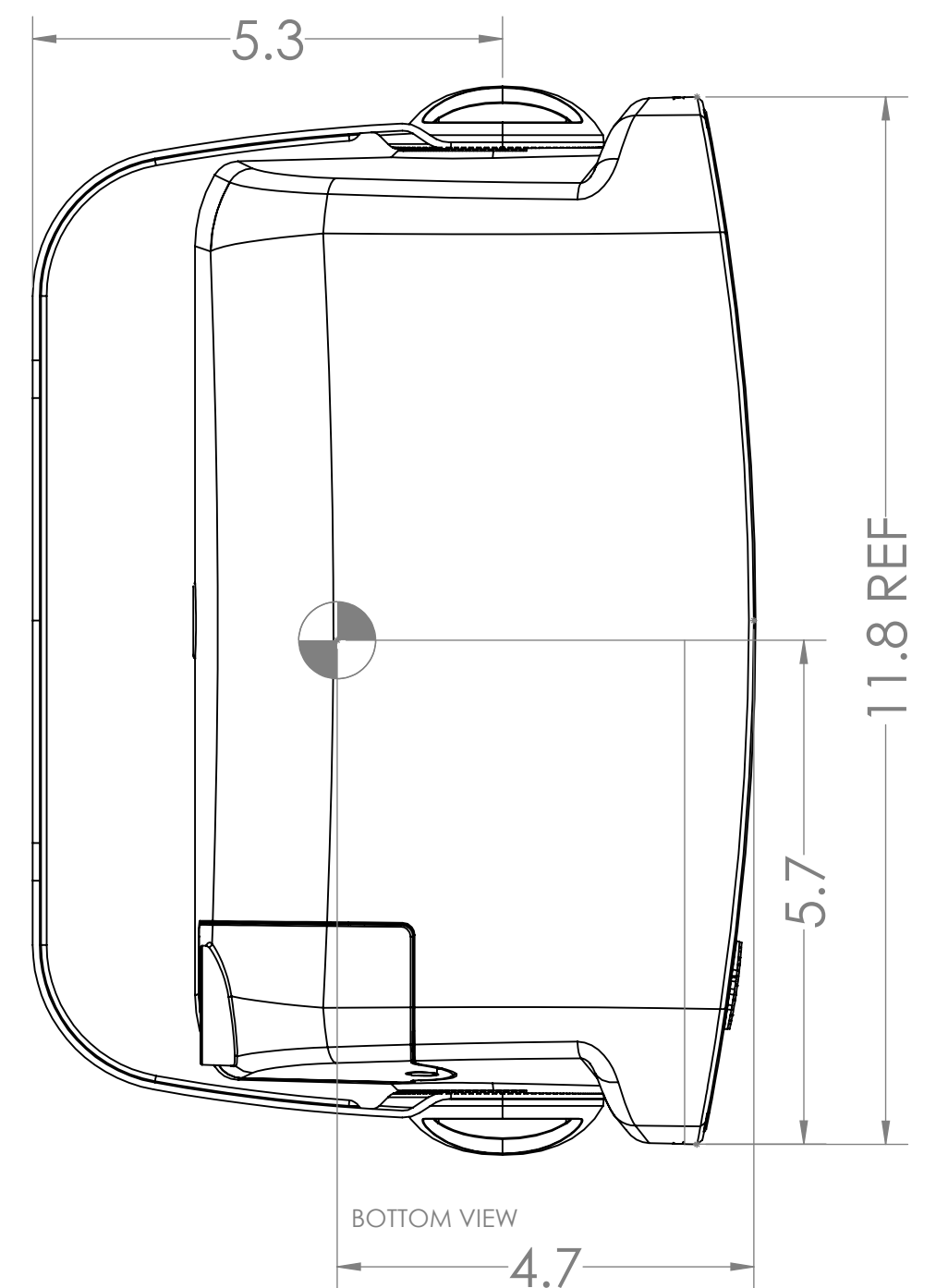
 THIS SYMBOL REPRESENTS CENTER OF GRAVITY



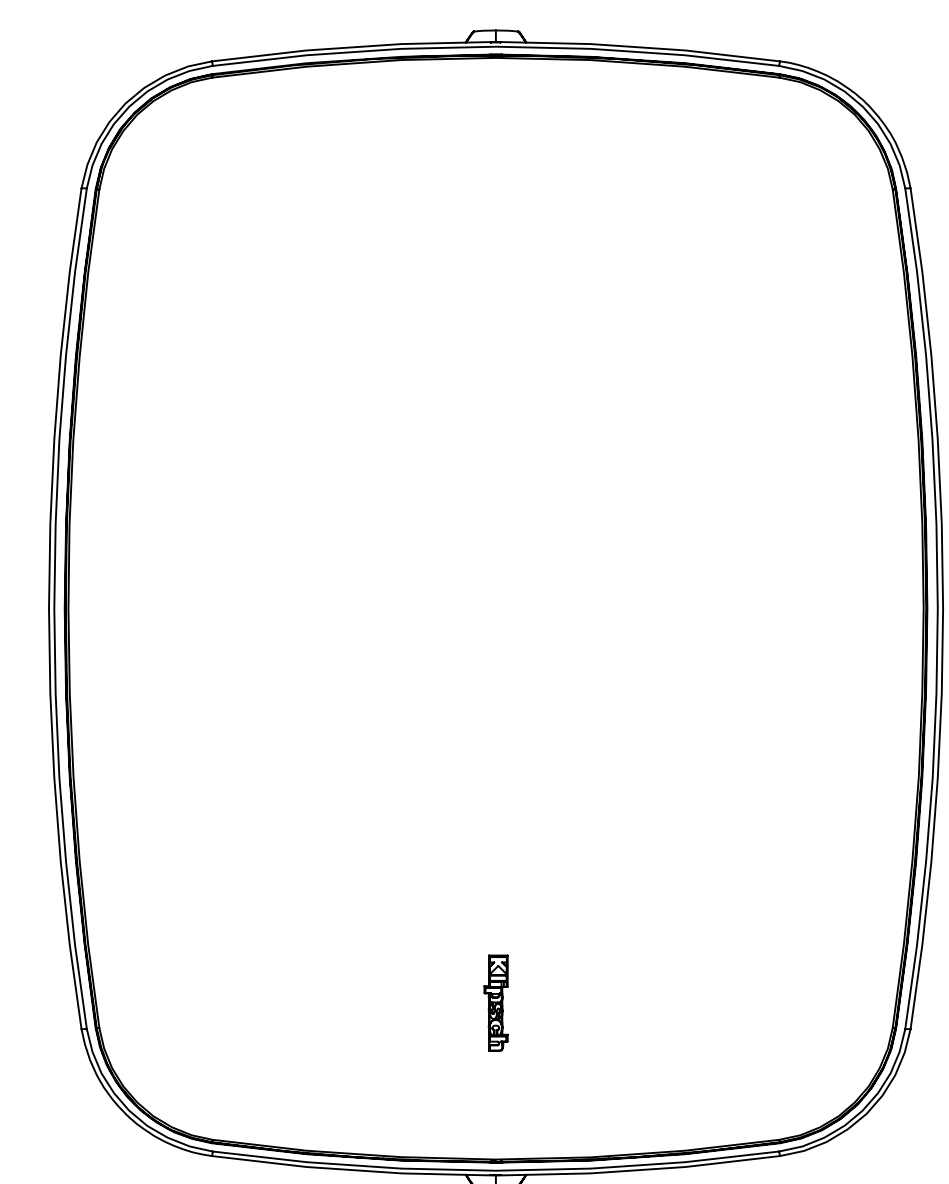
SIDE VIEW



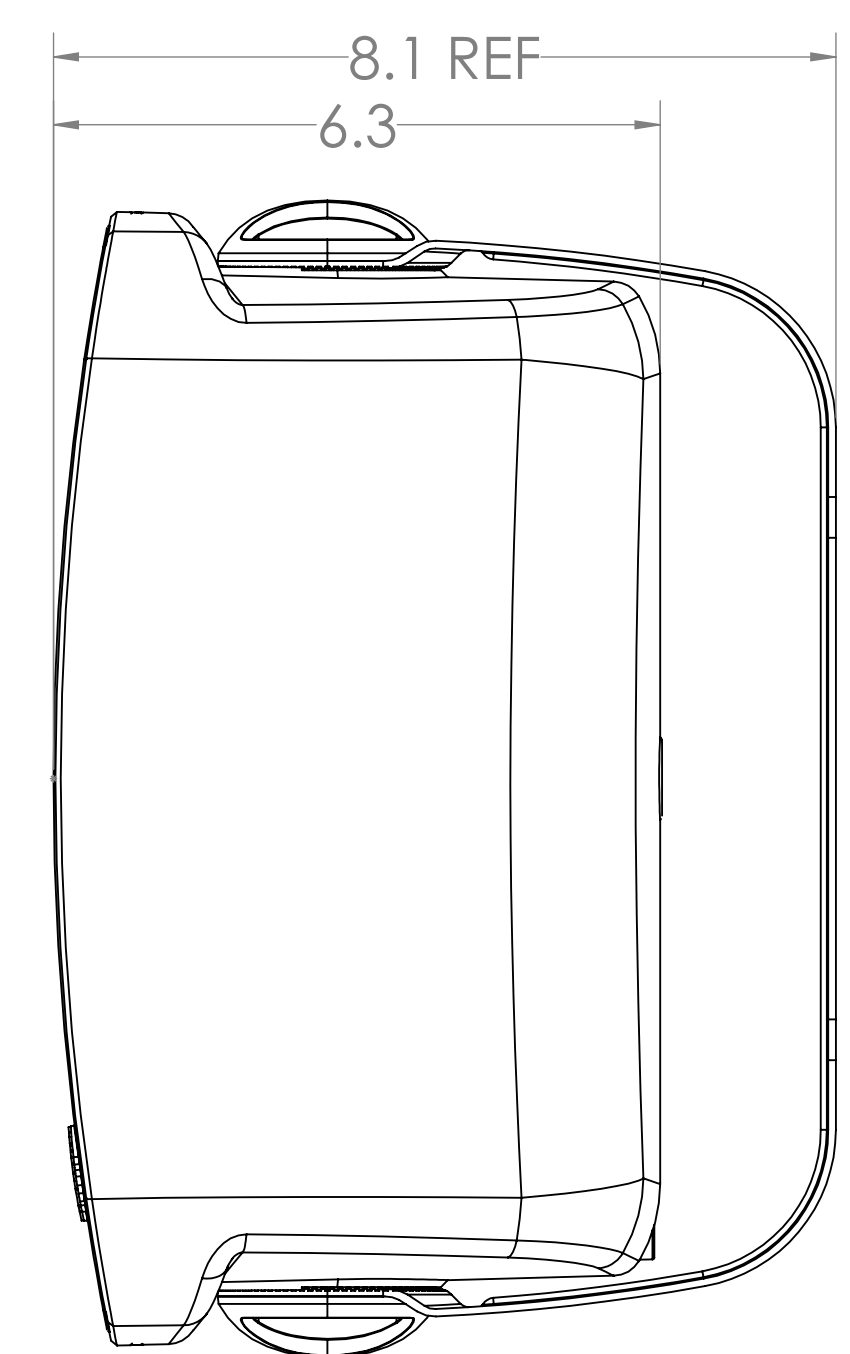
ISOMETRIC VIEW



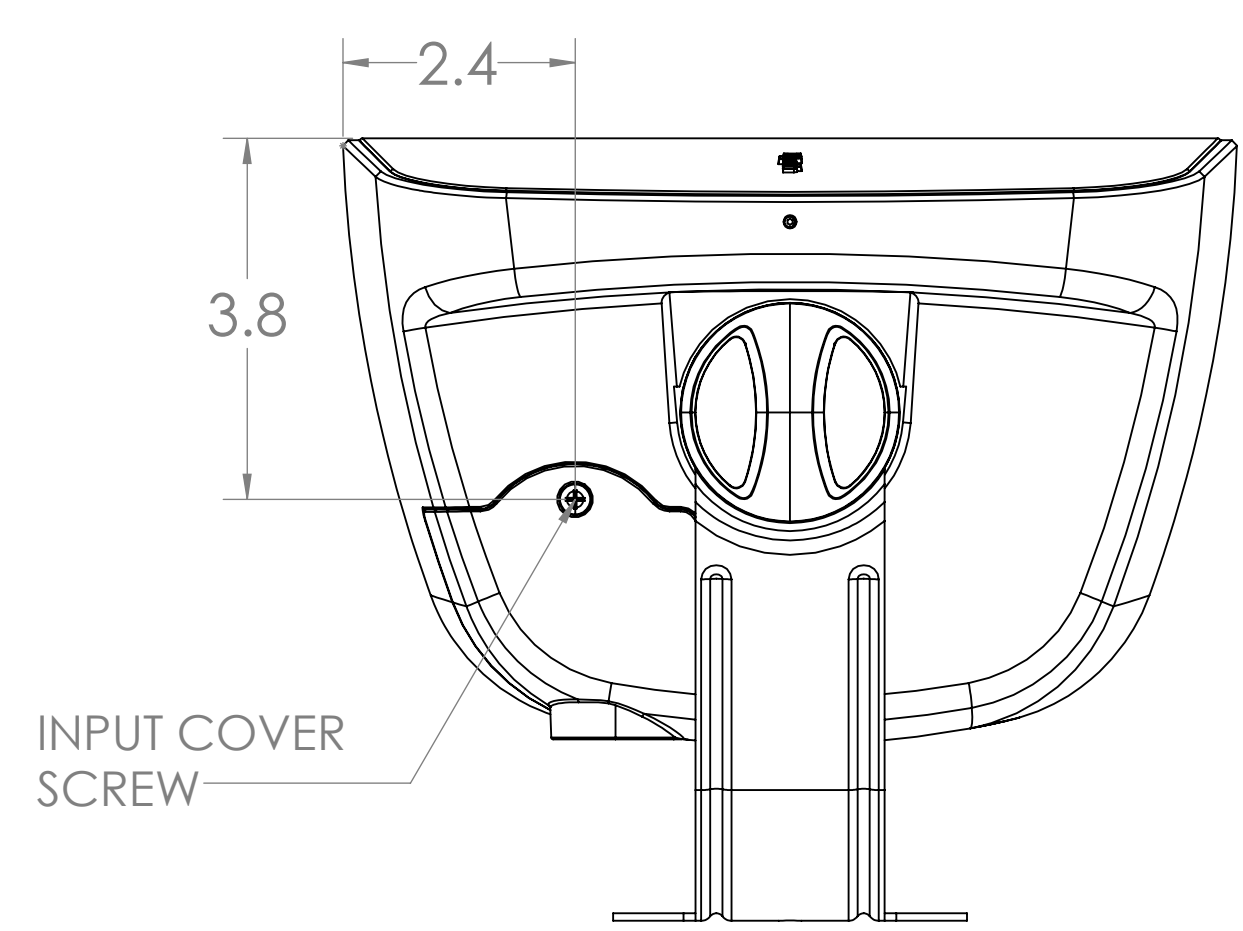
BOTTOM VIEW



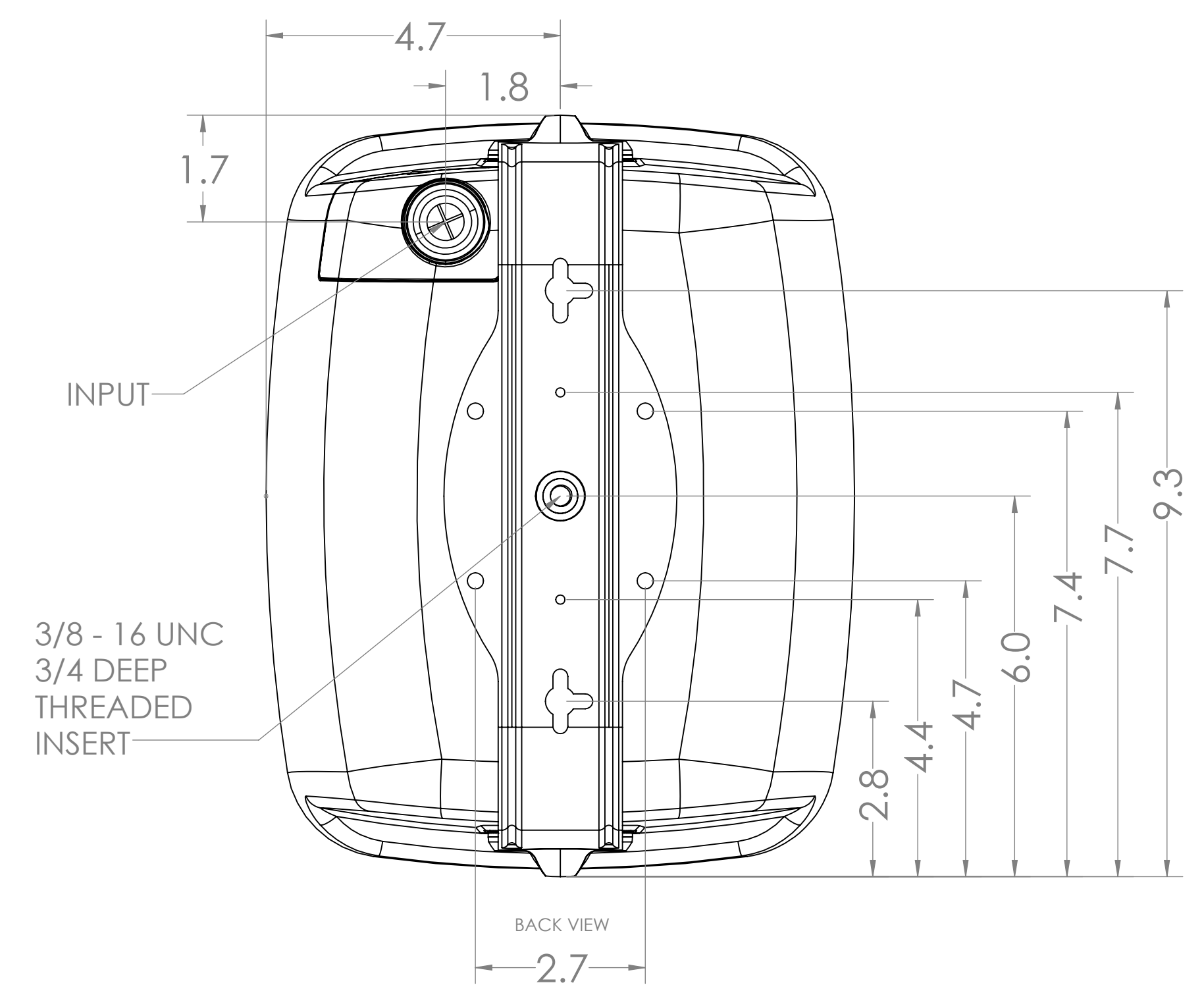
FRONT VIEW



TOP VIEW



SIDE VIEW



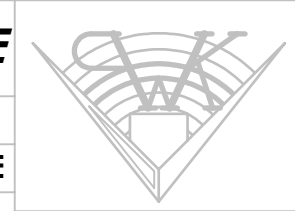
BACK VIEW

THE INFORMATION IN THIS DOCUMENT IS THE PROPERTY OF KLIPSCH GROUP INC. AND CONTAINS PROPRIETARY AND CONFIDENTIAL INFORMATION. THIS DOCUMENT IS GIVEN FOR THE PURPOSE OF QUOTATION OR PROCUREMENT AND THE INFORMATION CONTAINED HEREIN SHALL NOT BE DISCLOSED TO OTHERS, OR BE REPRODUCED FOR ANY OTHER PURPOSE WITHOUT THE EXPRESS WRITTEN CONSENT OF KLIPSCH AUDIO GROUP INC.

WHERE USED	MATERIAL SPECIFICATIONS

TOLERANCES UNLESS OTHERWISE SPECIFIED
DECIMAL
.XXX ± .020
FRACTION ± 1/64
ANGLE ± 1°
FINISH
32 ✓ [0.8] ✓

DO NOT SCALE	
APPROVALS	
SIGNATURES	DATE
ORIGINATOR: JLB	052124
CHECKER:	
ENGINEER:	
MFG ENG:	
REVISED BY:	

 **Klipsch**
AUDIO GROUP INC
137 HEMPSTEAD ROAD
278
HOPE, AR 71802

PSM-525-T/RSM-525 ARCHITECTURAL DRAWING

DWG. NO. D106797
SCALE: 1:2 SHEET: 1 OF 1

6

5

4

3

2

1